

RoughDeck® CS Coil Scale



STANDARD FEATURES

- Capacities: 40,000 to 80,000 lb, consult factory for custom capacities
- Sizes: 5 ft x 5 ft - 6 ft x 6 ft, consult factory for custom sizes
- Height: 11 in
- Deck thickness: 1/2 in smooth top plate
- JB4SS Tuffseal® signal trim junction box
- MVS self-checking mounting system, top access to load cells
- Black epoxy paint
- 20 ft Survivor® EL147HE hostile environment load cell cable

SPECIFICATIONS

Capacities:

| | |
|----------------|------------------------------|
| Scale Capacity | Load Cell and Mount Capacity |
| 40,000 lb | Qty (4) 50,000 lb each |
| 60,000 lb | Qty (4) 50,000 lb each |
| 80,000 lb | Qty (4) 75,000 lb each |

Warranty:

RoughDeck CS weldment five years, load cells two years, all other components one year

Approvals:

NTEP CC 11-068, Class III, 5,000d

APPROVALS

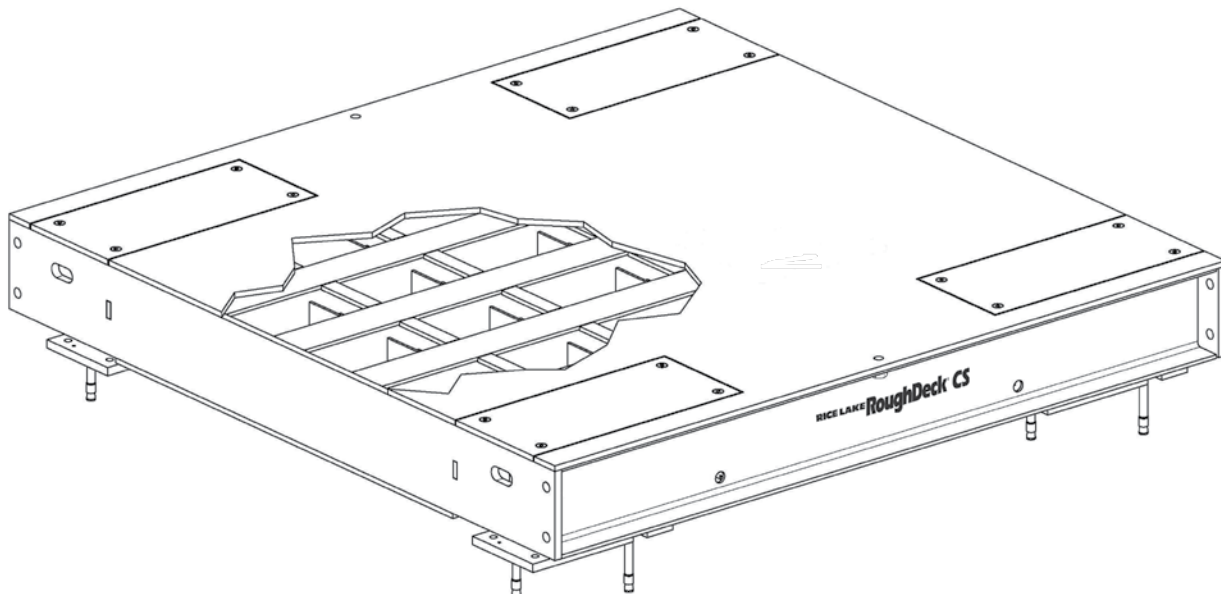


PART NUMBER/PRICE

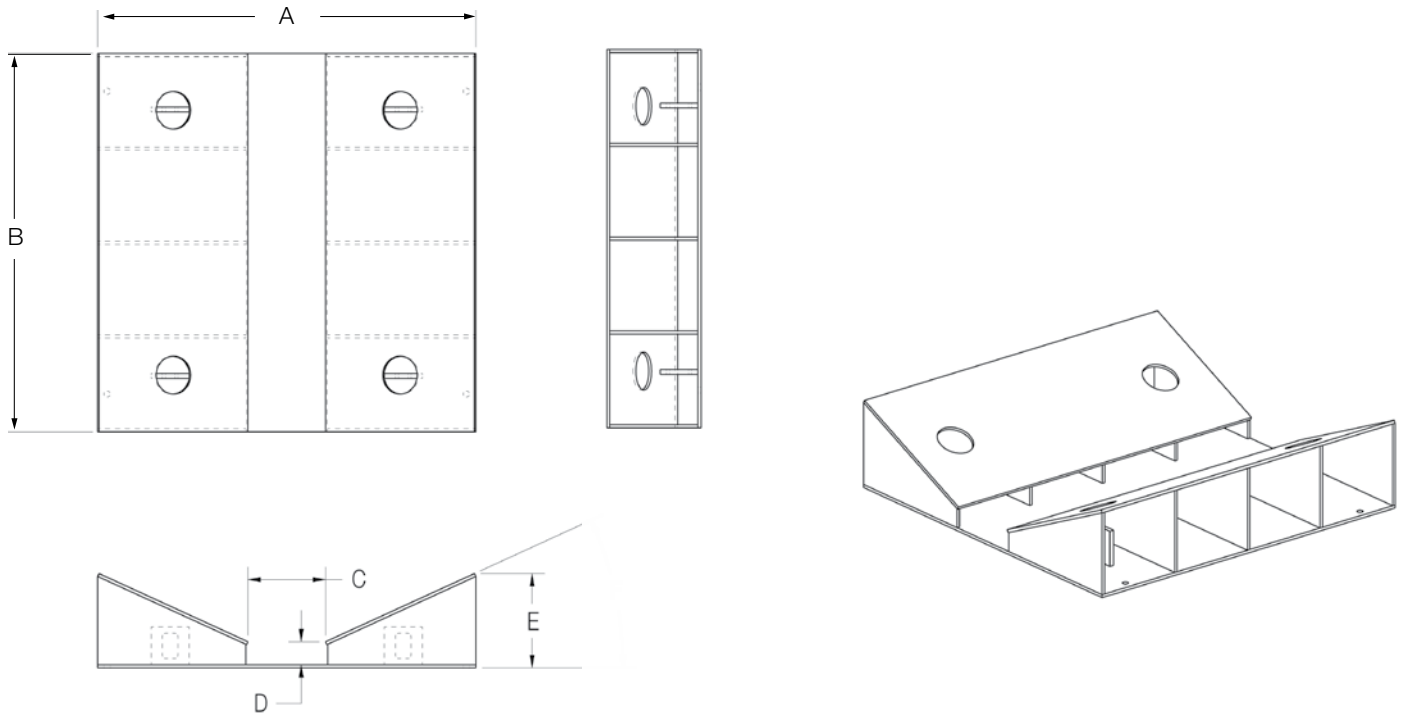
| PART # | DESCRIPTION | CAPACITY | EST. SHIP WEIGHT | PRICE |
|--------|---------------------|-----------------------|------------------|---------|
| 107493 | 5 ft x 5 ft x 11 in | 40,000 lb (20,000 kg) | 1900 lb | Consult |
| 107494 | 5 ft x 5 ft x 11 in | 60,000 lb (30,000 kg) | 1900 lb | Consult |
| 107495 | 5 ft x 5 ft x 11 in | 80,000 lb (40,000 kg) | 1900 lb | Consult |
| 107496 | 6 ft x 6 ft x 11 in | 40,000 lb (20,000 kg) | 2575 lb | Consult |
| 107497 | 6 ft x 6 ft x 11 in | 60,000 lb (30,000 kg) | 2575 lb | Consult |
| 107498 | 6 ft x 6 ft x 11 in | 80,000 lb (40,000 kg) | 2575 lb | Consult |

OPTIONS/ACCESSORIES

| PART # | DESCRIPTION | PRICE |
|---------|---------------------------------|---------|
| 114678 | V-Top coil cradle (5 x 5 scale) | Consult |
| 114684 | V-Top coil cradle (6 x 6 scale) | Consult |
| Consult | Pit coping | Consult |



RoughDeck® CS Coil Scale



V-Top Coil Cradle

| DIMENSIONS | | | |
|--------------------------------|----------|---|----------|
| 5 x 5 V-Top Coil Cradle | | | |
| A | 60 in | D | 3.64 in |
| B | 60 in | E | 14.95 in |
| C | 12.30 in | F | 25° |
| 6 x 6 V-Top Coil Cradle | | | |
| A | 72 in | D | 3.99 in |
| B | 72 in | E | 14.96 in |
| C | 22.62 in | F | 24° |